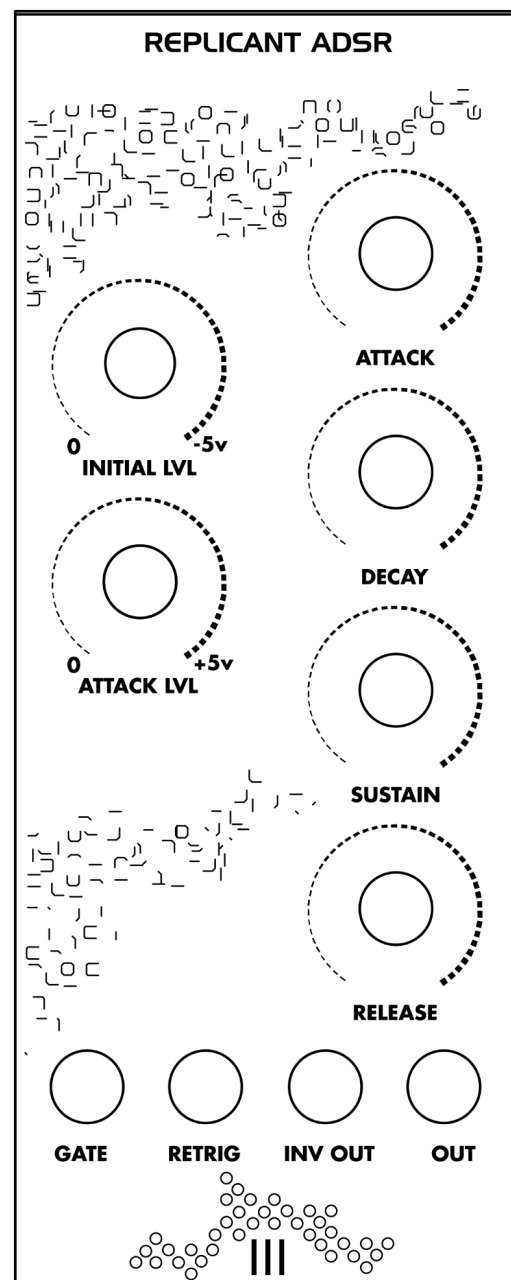


Tre Modular - Replicant ADSR DIY Assembly Guide v2.2

Thank you for choosing Tre Modular.

In this guide, we will walk you through the process of assembling your very own Tre Modular - Replicant ADSR module.



Before You Begin:

This guide assumes a basic soldering proficiency, so if you're new to the craft, consider practicing on a spare PCB to build confidence.

Always adhere to proper soldering techniques, work in a well-ventilated space, and handle electronic components with care to ensure the longevity and optimal performance of your Replicant ADSR.

Ensure you have all the necessary components listed in the Bill of Materials. Familiarize yourself with the provided component list, and if any questions arise, don't hesitate to ask at support@tremodular.com.

BOM (Bill of materials):

Capacitors:

10n(Film) x2
100n(104) x8
1uf(Film) x2
1uf 50v x1
4.7uf(Film) x1
10uf 50v x2

Resistors:

220r x2
1K x4
10K x18
15K x1
22K x1
39K x1
47K x2
56K x1
68K x1
100K x11
150K x1

Diodes:

1N4148 x5
1N4002 x2

Transistors:

2N3904 x2
2N3906 x1
LM79L05 x1

Potentiometers:

A1M x3
B10K x2
B50K x1

Connectors:

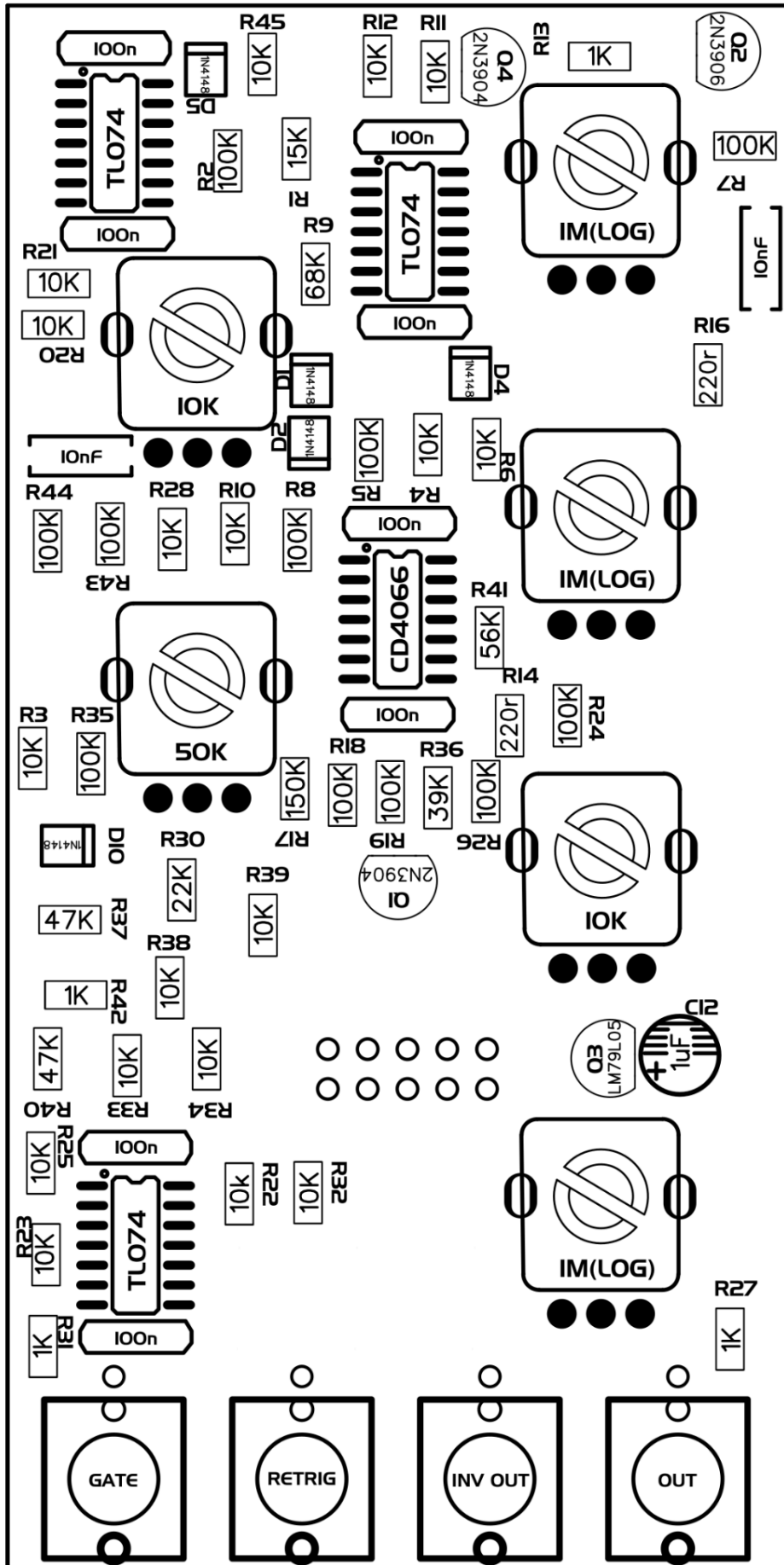
IDC-2.54-2X5P - x1

Jack sockets:

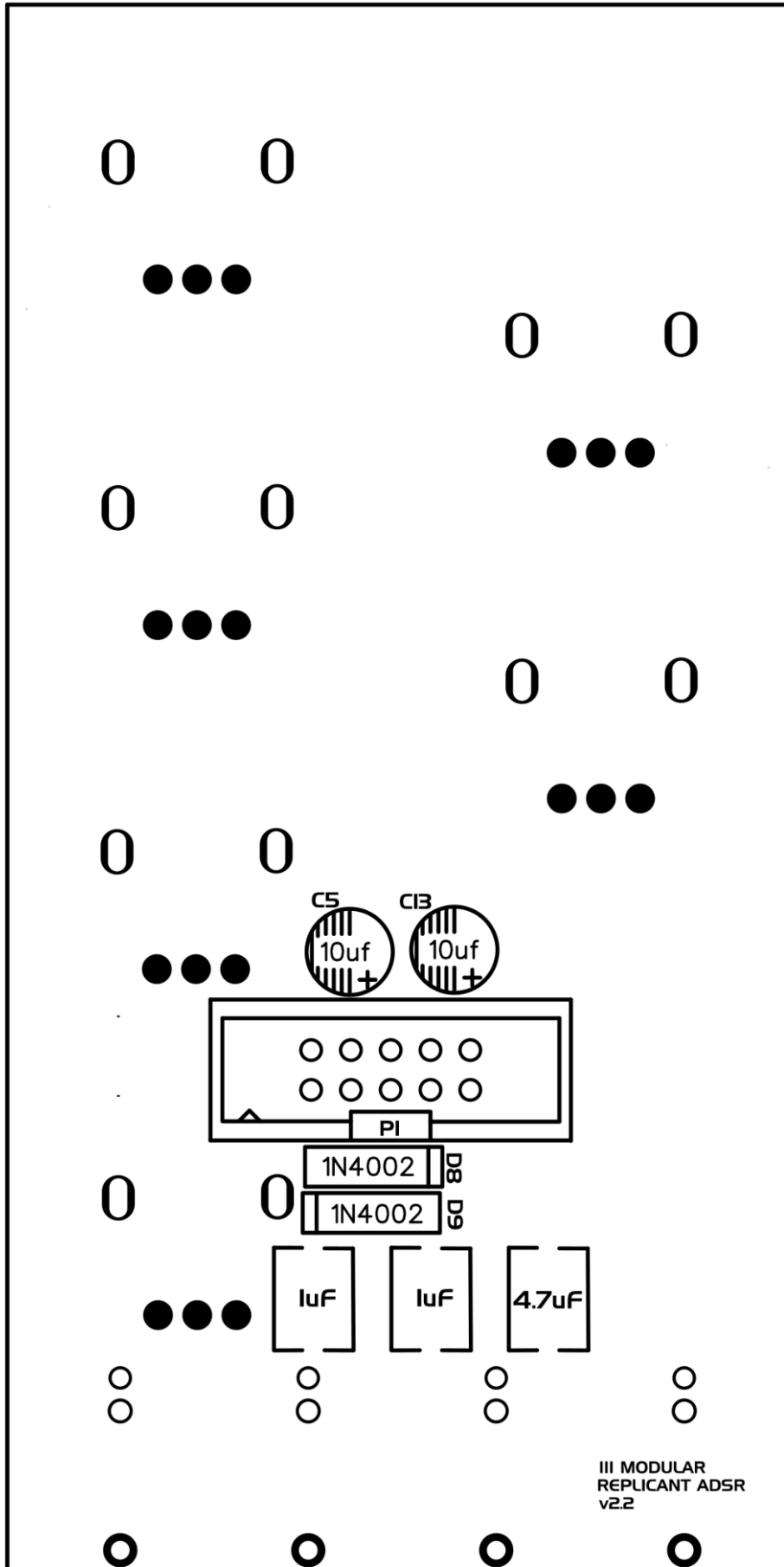
Mono Switched x4

Legend:

Front:



Back:



Assembly Guide:

Step 1: Identify and Sort Components

Organize the components into groups based on their types: resistors, capacitors, diodes, potentiometers, connectors, switches and jack sockets.

Step 2: Diodes (Front)

Insert and solder 1N4148 diodes according to the legend.

1N4148 diodes are placed vertically.

Body of the diode should rest on the triangle part of the diode symbol.

Ensure correct orientation, referring to the diode's polarity.

For easier soldering, when 1N4148 diode is placed on the PCB, bend the leg closest to the diode's body to keep it in place, and then solder the other leg. Once this is done, straighten the bent leg and proceed with soldering it in place.

Step 3: Transistors

Place and solder all transistors in its designated location.

Step 4: Capacitors (Front)

Solder all capacitors onto the designated positions on the PCB according to legend.

Ensure correct orientation of 1uf electrolytic capacitor, referring to the capacitor's polarity.

Step 5: Resistors

Resistors are placed vertically.

Refer to the legend for resistor placement.

Start with the lowest resistance value and continue soldering resistors in ascending order, referring to the BOM and legend for values and placement.

For easier soldering, when a resistor is placed on the PCB, bend the leg closest to the resistor's body to keep it in place, and then solder the other leg. Once this is done, straighten the bent leg and proceed with soldering it in place.

Step 6: Diodes (Back)

Insert and solder 1N4002 diodes according to the legend.

Ensure correct orientation, referring to the diode's polarity.

Step 7: 10uf Capacitors (Back)

Solder 10uf capacitors onto the designated positions on the PCB according to legend.

Ensure correct orientation of capacitors, referring to the capacitors polarity.

Step 8: Power Connector (Back)

Solder the IDC connector (Power connector) into its designated spot. Start by soldering one pin and reflow the solder if the connector is not aligned. If everything is aligned, proceed to soldering the rest of the pins.

Step 9: 1uf film Capacitors (Back)

Solder 1uf capacitors onto the designated positions on the PCB according to legend.

Step 10: 4.7uf film Capacitor (Back)

Solder 4.7uf capacitor onto the designated positions on the PCB according to legend.

Step 11: Potentiometers and Jack Sockets

Insert all potentiometers and jack sockets into their positions on the PCB.

Put on the front panel and fasten it. Ensure everything is aligned properly and then solder everything in place.

Step 12: Final Inspection

Double-check your work against the BOM and legend.

Visually inspect your solder joints for bridges or cold joints.

Ensure all components are securely attached to the PCB.

Step 13: Installation

Power off your Eurorack system.

Connect the power cable, ensuring correct polarity.

Power on your Eurorack system.

If the module is working as it should. Insert the module into an available slot in your rack and secure it in place.

Enjoy!

Additional Information:

For any additional questions or support, please contact Tre Modular at support@tremodular.com.

Happy patching!

